

## Contents

### AR-727iV2

1 Product



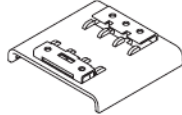
- AR-727iV2 Supports varies Ethernet protocol (TCP server/TCP), which is a Serial-to-Ethernet device to connect to networking.
- Small volume with compact design, 45mm\*28mm size less than a semi credit card, easily connect to Serial device to get on networking with 10/100M.

### AR-727CM V2

1 Product

2 User Guide

3 Accessories



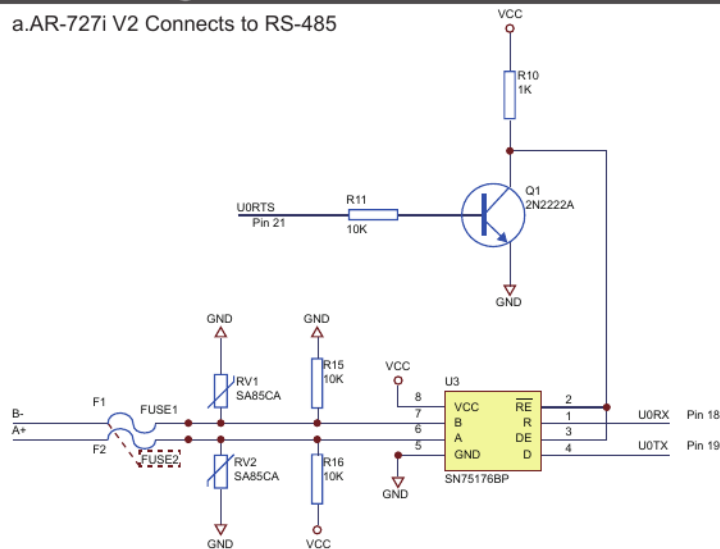
- 32 bits/50MHz ARM CPU upgrades serial device to networking device.
- Compatible with 5V and 3V system.
- Dual UART port supported and 4K/4K Rx/Tx buffer.
- Easy to use with compact volume. Need for external components.
- 10/100 Mbps auto-negotiation Ethernet interface.
- The Virtual COM software builds 1-255 virtual series communication ports onto your computer.

## Specification

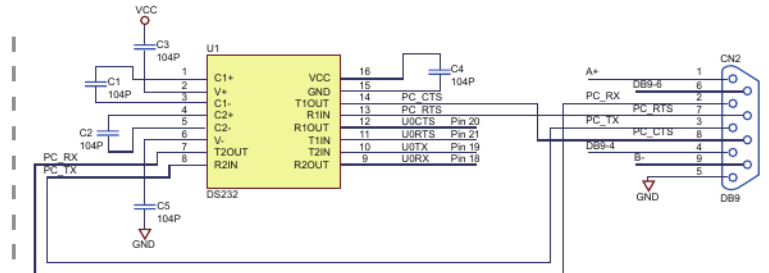
Part NO.	AR-727i V2	AR-727CM V2
Type	36-pin 2mm compact package	Ethernet to Serial Port Device
Input Voltage	5 VDC (±5%)	9-24 VDC (±5%)
Power Consumption	<0.5W	<2W
Dimensions	45(L)x28(W)x14(H)	106.5(L)x66(W)x27.7(H)
Port 1	TTL 3.3VDC (Rx, Tx, RTS, CTS)	RS-232 (Rx, Tx, RTS, CTS)   RS-485 (A+, B-)
Port 2	TTL 3.3VDC (Rx, Tx, RTS, CTS)	RS-485 (A+, B-)
RS-485 Transmission Direction Control	RTS pin	-
Interface	10/100M Base T Ethernet ↔ UART(TTL)	10/100M Base T Ethernet ↔ RS-232/RS-485
Active Distance	-	2M/RS-232   300M/RS-485
Surge protection	-	16KV
N.W.(g)	15	86±5
Thunder Protection	1.5KV	
Data Bits	7, 8	
Stop Bits	1, 2	
Parity Check	None, Even, Odd	
Baudrate	4800-115200 bps	
Network Protocols	ARP, IP, TCP Client, UDP, ICMP, HTTP, DHCP, NetBIOS, SNMP v1, v2, v3,	
Software Configuration Interface	Web Console	
Operating Temperature	-20℃~+75℃	
Operating Humidity	5 to 95% RH	

## 727i V2 Diagram

a.AR-727i V2 Connects to RS-485



b.AR-727i V2 Connects to RS-232



c.AR-727i V2 Connects to RJ-45

