

## 26-port Gigabit Uplink PoE Switch



### OVERVIEW

24\*10/100M PoE ports and 2\*10/100/1000M uplink RJ45 ports, Port 1-24 can support IEEE 802.3af/at standard PoE power supply, single port PoE power up to 30W, and the maximum POE output power less than 250W. As a PoE power supply device, it can automatically detect and recognize the power receiving equipment that meets the standard and supply power through the network cable. It can supply power to POE terminal equipment such as wireless AP, webcam, VoIP phone, video access control intercom, etc. through network cable to meet the network environment that needs high-density PoE power supply. It is suitable for hotels, campuses, factory quarters and small and medium-sized enterprises to form an economy. Efficient network.

Unmanaged model, plug and play, no configuration, easy to use.

## FEATURE

### ■ 10/100M access, Gigabit uplink

- ◇ Provides 24\*10/100M PoE ports and 2\*10/100/1000M RJ45 ports for flexible networking and meets the networking requirements of various scenarios.
- ◇ Support non-blocking wire-speed forwarding and transmit more smoothly.
- ◇ Support full duplex based on IEEE802.3x and half duplex based on Backpressure

### ■ Intelligent PoE power supply function

- ◇ 24\*10/100MBase-TX RJ45 ports support PoE power supply, meeting the needs of security monitoring, teleconferencing system, wireless coverage and other scenarios.
- ◇ Comply with IEEE 802.3af/at PoE power supply standard, automatic identification of PoE equipment for power supply, no damage to non PoE equipment. The maximum PoE output power is 250W, and the maximum PoE output power of single port is 30W.
- ◇ The PoE port supports priority mechanism. When the residual power is insufficient, the power supply of high priority ports is guaranteed, so that the equipment is overloaded.

### ■ Easy to use

- ◇ Plug and play, no configuration, simple and convenient.
- ◇ With function switch, port 17-24 can support 10M/250 meters long distance transmission mode when one key is opened.
- ◇ The user can easily understand the working status of the device through the power indicator (Power), port status indicator (Link), and PoE operation indicator (PoE).
- ◇ Support desktop and 1U-19 inch cabinet installation.

### ■ The equipment is stable and reliable

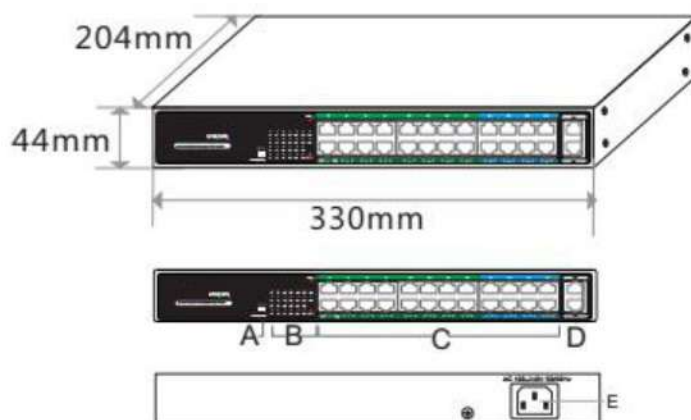
- ◇ The host has low power consumption, no fan mute design, and metal case to ensure stable operation of the product.
- ◇ ONV's self-developed power supply, high redundancy design, provides long-term stable PoE power output.
- ◇ The equipment meets the national CCC standard and is in full compliance with the safety requirements of CE, FCC, and RoHS. It is safe and reliable to use.

## TECHNICAL SPECIFICATION

Model	SRAONV03	SRAONV08
Inherent port	16*10/100Base-TX PoE ports (Data/Power) 2*10/100/1000Base-T uplink RJ45 ports (Data)	24*10/100Base-TX PoE ports (Data/Power) 2*10/100/1000Base-T uplink RJ45 ports (Data)
PoE Port	Port 1-16 can support IEEE802.3af/at standard PoE power supply	Port 1-24 can support IEEE802.3af/at standard PoE power supply
Functional Switch	After opening, port 9-16 can support 10M/250 meters long distance transmission.	After opening, port 17-24 can support 10M/250 meters long distance transmission.
	<b>Note:</b> when the switch state changes, it must be restarted before the PoE switch function can take effect	
Network Protocol	IEEE802.3 10BASE-T; IEEE802.3i 10Base-T; IEEE802.3u 100Base-TX; IEEE802.3ab 1000Base-T; IEEE802.3x	
PoE Standard	IEEE802.3af/at international standard	
Ethernet Port	10/100 BaseT(X), 10/100/1000BaseT auto-detection, full/half-duplex MDI/MDI-X auto-sensing	
Forwarding Mode	store and forward(Full Wire Speed)	
Switching Capacity	14.8Gbps (Non-blocking)	
Forwarding Rate@64byte	5.36Mpps	6.55Mpps
MAC address entry	16K	
Buffer Memory	4M	
Twisted Pair Transmission	10BASE-TX: Cat5 or later UTP(≤250 meter) 100BASE-TX: Cat5 or later UTP(≤100 meter) 1000BASE-T: Cat5e or later UTP(≤100 meter)	
Power Supply Pin	Default 1/2(+), 3/6(-);Optional 4/5(+), 7/8(-) 2-pairs power supply	
Max / Average Power Per Port	30W/15.4W	
Total PWR / Input Voltage	250W (AC100-240V)	
Power Consumption	Standby<15W; Full load <240W	Standby <20W; Full load <250W
LED indicator	Power indicator: PWR (green); network indicator: Link (yellow); PoE indicator: PoE (green)	
Power Supply	Built-in switching power supply, AC100~240V 50-60Hz 4.1A	

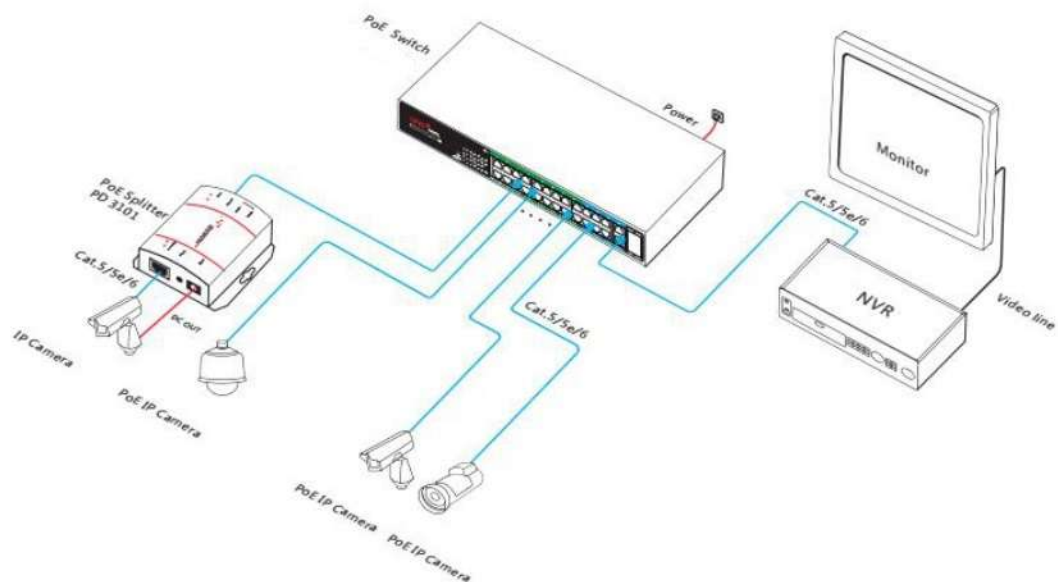
Operation TEMP / Humidity	-20~+55°C;5%~90%RH (Non condensing)	
Storage TEMP / Humidity	-40~+75°C;5%~90%RH (Non condensing)	
Dimension	270*181*44.5mm	330*204*44mm
Net /Gross Weight	<1.7kg / <2.2kg	<2.3kg / <3kg
installation method	Desktop, wall mount, rack mount	
Lightning protection / protection level	Port Lightning protection :4KV 8/20us; Protection Level:IP30	
Certification	CCC;CE mark, commercial;CE/LVD EN60950;FCC Part 15 Class B;RoHS;	
Warranty	1 year	

## DIMENSION



- A.Multi-functional switch    B.Working LED indicator  
 C.24\*PoE port      D.2\*10/100/1000M uplink RJ45 port  
 E.Power input port AC100-240,50/60Hz

## APPLICATION



## PACKING LIST

	CONTENT	QTY	UNIT
PACKING LIST	26-port gigabit uplink PoE switch	1	SET
	AC power line	1	PC
	Hardware installation kit	1	SET
	User guide	1	PC
	Warranty card	1	PC